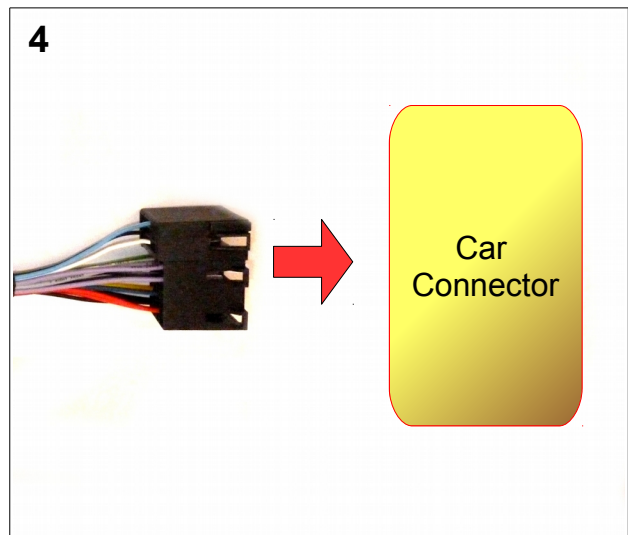
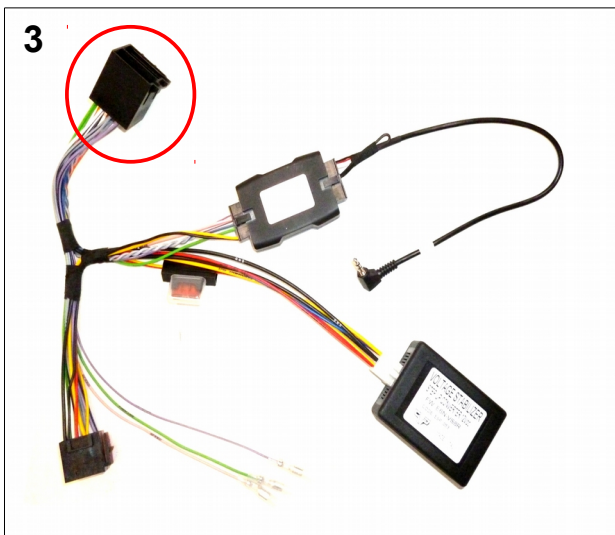
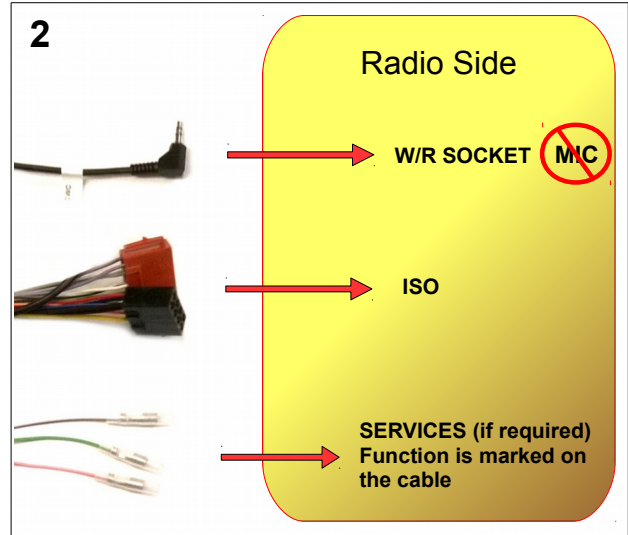
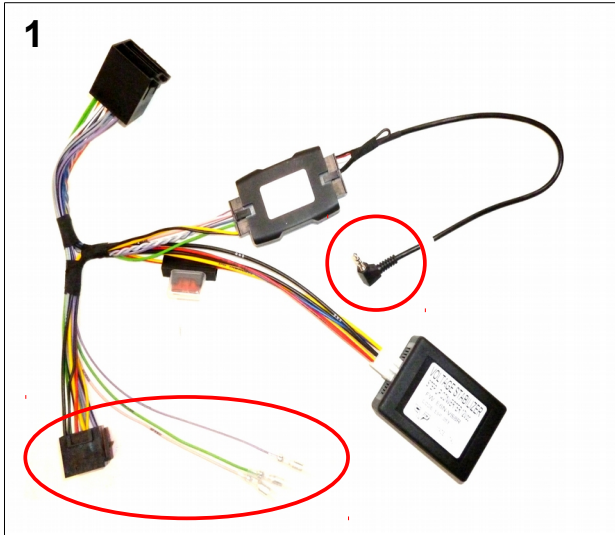


## IVECO DAILY 2014-> -- SWC Interface



In order to prevent ESD damage, the W/R Jack must be connected before plugging the connectors on car side



Installation must be performed by a qualified professional installer only. The manufacturer is not liable for any kind of incidental or indirect damages.  
10/2014 - All rights reserved. No liability for misprints

# Pioneer