

Prima

APBMW X4E

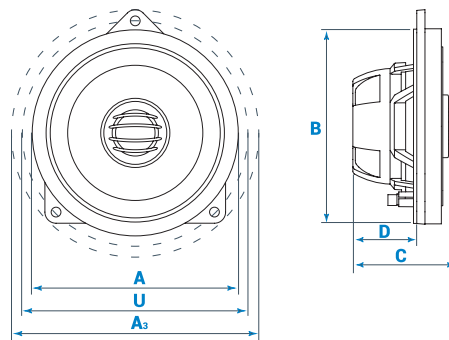
Coaxial for BMW-MINI



TECHNICAL SPECIFICATIONS		
Component		Coax
Midrange size	mm (in.)	100 (4)
Tweeter diaphragm	mm (in.)	24 (0.9)
Power Handling	W peak	80
	W continuous	40
Impedance	Ω	4
Frequency Response	Hz	100 ÷ 22k
Magnet size D x d x h	mm (in.)	50 (1.97) x 29 (1.14) x 3 (0.12)
Weight of one speaker	kg (lb.)	0,5 (1.1)
Woofer Voice Coil Ø	mm (in.)	25 (1)
Tweeter Voice Coil Ø	mm (in.)	20 (0.8)

ELECTRO-ACOUSTIC PARAMETERS		
D	mm	80
Xmax	mm	±0,5
Re	Ω	3,4
Fs	Hz	100
Le	mH	0,32
Vas	l	1,8
Mms	g	5,8
Cms	mm/N	0,5
BL	T·m	5,4
Qts		0,38
Qes		0,4
Qms		6,2
Spl	dB	88

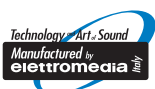
- 1 Specially developed for BMW-Mini models** that do not allow the installation of a two-way system on the front or for rear seat upgrade;
- 2 Neodymium Magnetic group** to maximize performance while minimizing bulk and weight;
- 3 25 mm (1") fiberglass woofer voice coil** for high power dissipation and stiffness;
- 4 Waterproof pressed-paper cone** for medium natural frequencies free from any plastic resonance;
- 5 20 mm (0.8") Tetolon coil tweeter with dispersion characteristics optimized with FEM simulations;**
- 6 BMW-Mini compatible aluminium die-cast basket** with Plug & Play connectors;
- 7 30 cm extension provided featuring Plug & Play connectors,** for high flexibility of installation;
- 8 Damping removable motor cover.**



A	A3	B	C	D	U
119 mm	143 mm	100 mm	67,5 mm	39 mm	129,5 mm
4.69 in.	5.63 in.	3.94 in.	2.66 in.	1.54 in.	5.1 in.



BMW and MINI are trademarks of BMW AG (Bayerische Motoren Werke Aktiengesellschaft)



Elettromedia
62018 Potenza Picena (MC) Italy
T +39 0733 870 870 - F +39 0733 870 880
www.elettromedia.it

